

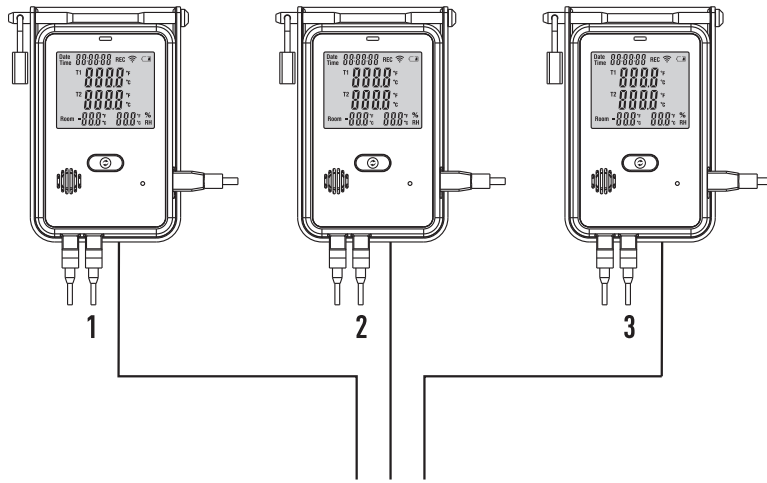
Operating Instruction for WiFi Multiple Thermocouple Thermometer

1. System

System Overview

- The WiFi Multiple Thermocouple Thermometer is the modern solution for measure and monitoring temperature and humidity values in storerooms or anyother place.
- The solution system consists of Tester, Route, PC software. Tester to the routing via WiFi connection, and then transmit the data to PC software, PC software will store the Tester to upload data to the PC and analysed, beyond setting the alarm value will be sent via email or SMS alarm message informing the user.

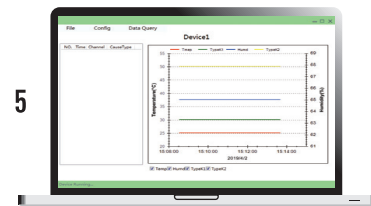
1/2/3. WiFi Tester



4. LAN Router
(at customer site)



5. PC Software



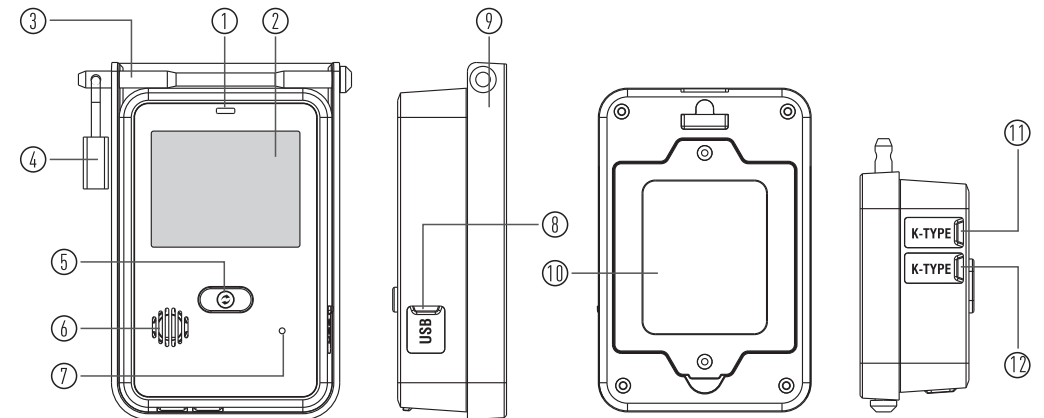
2. WiFi Multiple Thermocouple Thermometer

2-1. Measurement-Specific Data

Temp Range	-40 to 70°C/-40 to 158°F
Temp Accuracy	±0.5°C/0.9°F
Humidity Range	0 to 100%RH
Humidity Accuracy	±3%RH
Temp K Range	-50 to 350°C/-58 to 662°F
Temp K Accuracy	0.15%rgd+1.0°C/1.8°F
Resolution	0.1°C/0.1°F
Protection Class	IP54
Measurement Rate	5sec to 24h (5 Seconds Default)
Communication Rate	5sec to 24h (5 Seconds Default)
Memory	4071 Readings/Channel
Voltage Supply	4 x AA batteries, Mains unit optional for temperatures below -10°C/14°F please use Energizer batteries
Radio Frequency	2.4 GHz (IEEE 802.11 b/g/n)
Encryption Method	WEP, WPA, WPA2 (TKIP, AES)

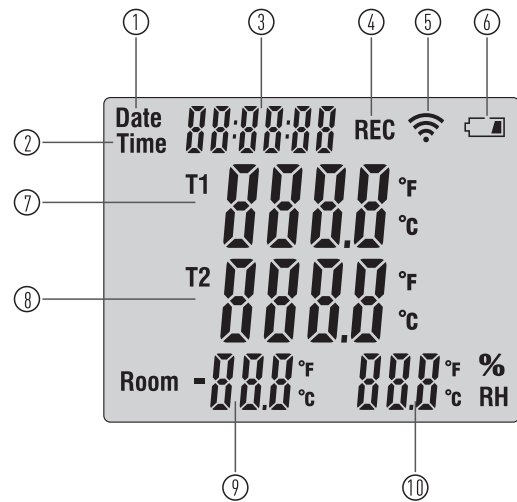
2-2. Display and control elements

2-2-1. Overview



- 1-Alarm LED (Flashes Red in the Event of Alarm)
- 2-Display
- 3-Safety Bolt
- 4-Lock
- 5-Control Key (to Power ON or Change the Temperature Unit)
- 6-Humidity Sensor
- 7-Buzzer
- 8-USB Interface
- 9-Wall Bracket
- 10-Battery Cover
- 11-TypeK T1 Socket
- 12-TypeK T2 Socket

2-2-2.Display



- 1-Date currently date (yy MM dd)
- 2-Time currently time(hh:mm:ss)
- 3-Date or Time contents
- 4-Record data in the device eeprom when the device is drops the LAN
- 5-Connect PC software logo, when not connected to the PC software flash of a second, a long light connected to the PC software
- 6-Indicates the battery is low, at ordinary times is not display when battery is low
- 7-TypeK channel 1 temperature value
- 8-TypeK channel 2 temperature value
- 9-The environment temperature measurement value
- 10-Environmental humidity measuring values

2-2-3.Key Action

- **Short Press:** Click on the buttons loosen immediately after upload the current measurement value to PC software, switching unit of humidity °C / °F.
- **Long Press:** Long press for 3 seconds to boot or shutdown.

2-2-4.Alarm Prompt

- The measured value of the equipment is higher than the set high threshold, at the same time to enable channel alarm, buzzer rang the three, while the red leds will flash three times.
- The measured value of the equipment is below the set lower limit, to enable channel alarm at the same time, the buzzer rang the two, while the red leds will flash two times.

